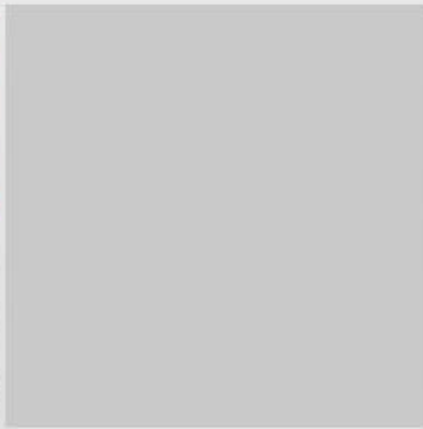
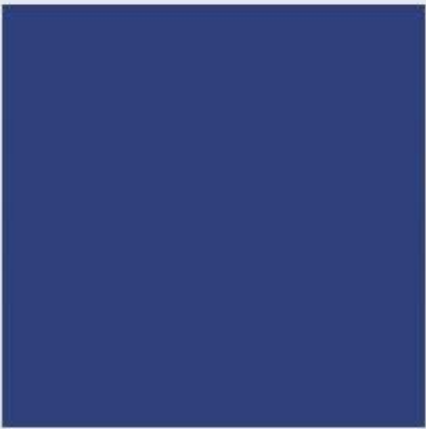




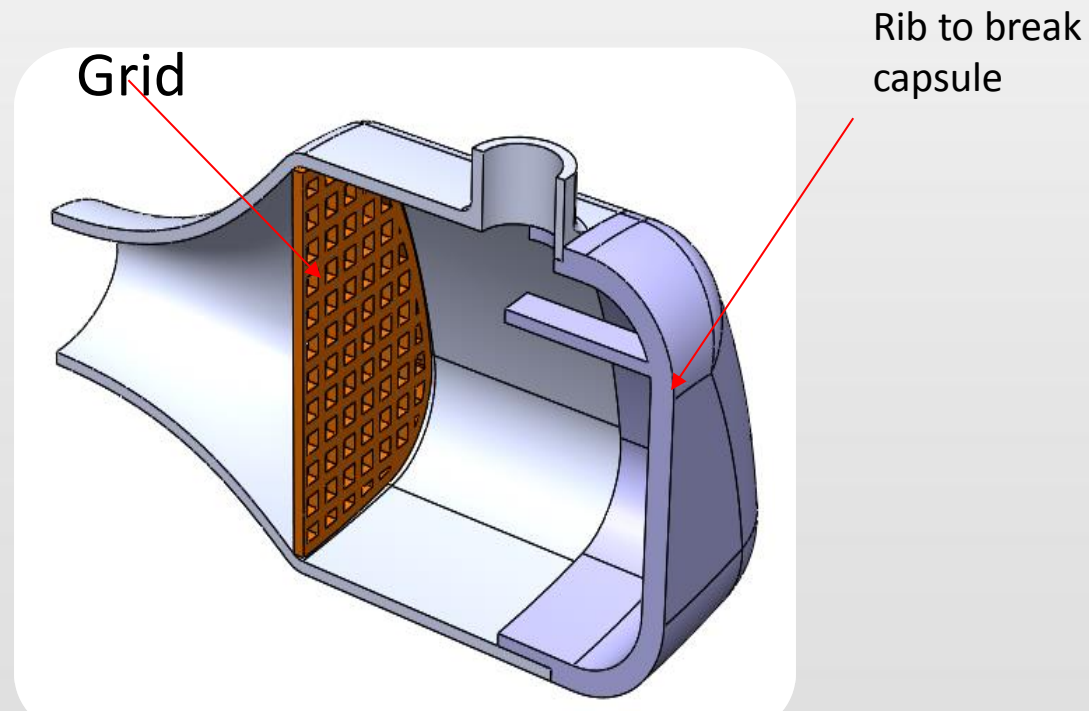
YASHAM



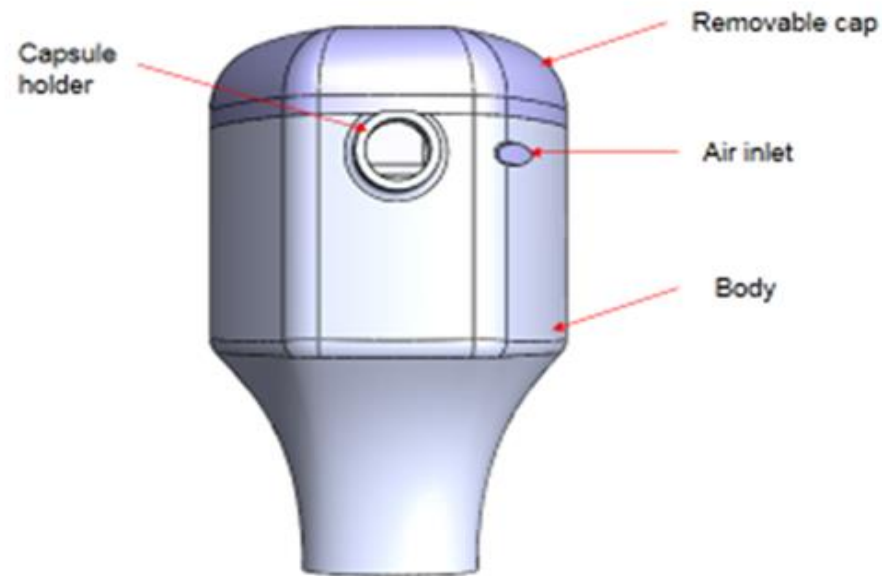
Example -1

Customer – Medical device company

The product under study relates to an inhaler having a default horizontal orientation of the device i.e. of mouthpiece. The orientation of a capsule is vertical when in use. Further, the inhaler comprises of a cap which includes a rib to rupture the capsule to release the powder (medicament) and thus eliminates the need of 'turning motion' required for opening the capsule.



- The device has provision to keep spare capsules for a few doses so as to avoid carrying capsule containers along with the device
- Inhaler has an asymmetric air inlet which helps in improving the swirling motion of the air inside the air chamber during the inhalation process



Top View

Keywords



- Inhaler, Inhaling device, Dispenser
- Puncture, Piercing means, Cutting means, Rib, Severing means
- Capsule, Receptacle, Blister
- Inlet, Outlet, Vent
- Swirling motion
- Storage space

Publication Number
US2014190473A1
Assignee: Haindl Hans
Publication date: July 10, 2014
Family: DE, EP, PCT
Status: Published (active)

Title
Inhalation pen

Key Feature I	Key Feature II	Key Feature III	Key Feature IV
✓	✓	✓	✓

Claims:

39. The inhaler according to claim 35, wherein the first end is movable such that it can be moved from a first position, in which the first end is aligned substantially parallel to the longitudinal axis of the inhaler, into a second position, in which the first end and the longitudinal axis of the inhaler include an angle of at least about 90°**Key Feature I.**

45. The inhaler according to claim 26, wherein the inhaler comprises a mixing means which is adapted for swirling an air stream within the inhaler. **Key Feature III**

46. The inhaler according to claim 26, wherein the inhaler comprises an inspection window through which the number of available doses **Key Feature IV** can be optically checked.

55. The inhaler according to claim 47, wherein the inhaler comprises a cannula tip or a knife and wherein the actuation of the release mechanism entails that a dose container of the conveyor belt or a bubble of the blister strip is moved into the cannula tip or the knife such that it is cut open. **Key Feature II**

Patent Number
US8434476B2
Assignee: Schuckmann Alfred Von
Publication date: May 7, 2013
Family: DE, EP, PCT, BR, CA, RU
Status: Granted (active)

Title
Dispenser for pulverulent substances

Key Feature I	Key Feature II	Key Feature III	Key Feature IV
	✓	✓	

Claims:

22. A dispenser for dispensing pulverulent substances, comprising: a dispenser housing having a mouthpiece; an annular blister pack movably disposed in said dispenser housing, said blister pack having a plurality of domes forming dome-shaped cavities disposed in a circular arrangement on a base layer, said domes having lateral walls and being disposed for indexing said dome-shaped cavities, by movement within said dispenser housing, into an emptying position; a needle movably disposed in said dispenser housing for opening said dome-shaped cavities in said emptying position for emptying by a suction air stream leading to said mouthpiece **Key Feature II** said needle having elastically yielding spring arms formed thereon at an end thereof remote from a tip of said needle; wherein said needle is disposed to pass from a center of said annular blister pack radially outwardly, to pass through said lateral wall and pierce a punched hole into said dome, and wherein, after retraction of said needle, said punched hole lies in a path of the suction air stream channel leading to said mouthpiece.

41. The dispenser according to claim 22, wherein said housing has a swirl chamber formed therein and, before the suction air stream leaves said mouthpiece, the suction air stream transporting the substance passes through said swirl chamber. **Key Feature III**

Start to finish- work Hours

- Search strategy- 4 hours
- Searching- 50 hours
- Compilation and analysis- 25 hours
- Report writing & Submission– 12 hours
- Total- 91 Hours